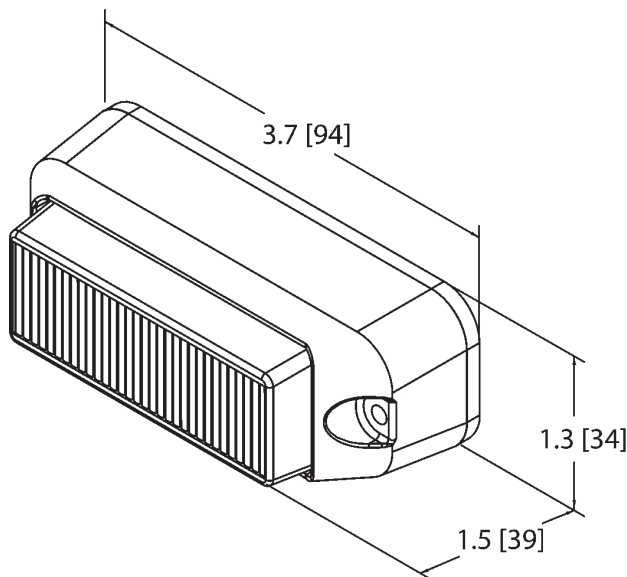


# 3730 Series LED Light Head Surface Mount

This compact and versatile surface-mount LED directional light is ideal for applications requiring high intensity output, low-current draw and maintenance-free operation. These premium LED heads feature a clear acrylic lens optic with LEDs that illuminate in the colour of your choice. Warning capability can be customized by selecting from 14 different flash patterns (via a trigger wire) and synchronizing multiple heads simultaneously or alternately. The coated aluminum base and urethane-sealed electronics protect the unit against the environment, making this one of the most rugged LED products available. And, it's covered by a full 5-year warranty.



## Features

- Rugged die-cast coated aluminum housing with urethane-encapsulated electronics
- 14 flash patterns, including 3 integral alternating flash modes
- Discrete units are colourless when not illuminated
- Multiple units can be synchronized
- LEDs offer a long, maintenance-free service life
- Warranty: 5 years

## Specification

Voltage:	12-24V
Temperature range:	-22°F to +122°F (-30°C to +50°C)
Current draw:	0.2A
Mounting:	Surface Mount
Weight:	0.13kg

## Approvals

- e, CE
- SAE J845 Class II
- IP Rating 67

## Models

100.460 - Amber	
100.461 - Blue	
100.463 - Red	

## Fixing brackets

Universal  
100.470



Window  
100.473



Deck  
100.472



Vision Alert Automotive Limited  
Victoria Industrial Park, Victoria Road  
Seacroft, Leeds, LS14 2LA.

Tel: +44 (0)113 237 5340  
Fax: +44 (0)113 237 5360

**UK only local rate**

Tel: 0845 1300 155  
Fax: 0845 1300 255

Email: [sales@visionalert.co.uk](mailto:sales@visionalert.co.uk)  
[www.visionalert.co.uk](http://www.visionalert.co.uk)

