

Grille/Deck/Dash & Window Mount LEDs

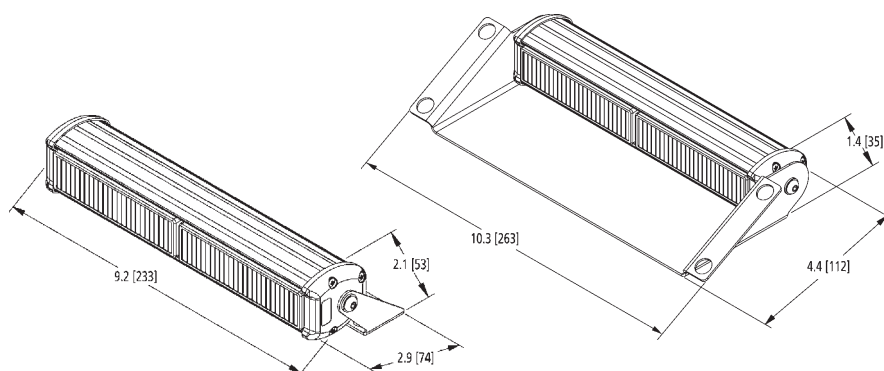
3600 Series (Twin Head)

Utilising two of Vision Alert’s unique LED modules featuring four 1 watt LEDs per head, these grille/deck/dash and window mount LED heads offer both permanent and temporary mounting options. Multiple hard wired, grille/deck/dash versions can be synchronised and are also supplied with temporary mounting hardware. Window mount versions feature flash pattern switch and switched cigarette plug adapters.

100.441



100.425



Features

- Extruded aluminium housing with epoxy-encapsulated electronics
- Steady burn, double, fast double, quad and quint flash patterns
- Discrete units are colourless when not illuminated
- LEDs offer a long, maintenance free service life
- Multiple grille/deck/dash versions can be synchronised via switch wire
- Flash: flash mode controlled via switch wire on grille/deck/dash models or integral switch on window models
- Voltage: 12V or 24V
- Amps: 0.4A @ 12V
0.2A@24V
- Warranty: 5 years
- Temperature Range: -30°C to +50°C (-22°F to +122°F)

Models

- Grille/Deck/Dash mount
- Window mount
- 24V versions also available
- Available colours – Amber, Blue, Clear, Red.

Approvals

- e, CE
- AMECA certified to SAE J845 Class I

Vision Alert Automotive Limited
Victoria Industrial Park, Victoria Road
Seacroft, Leeds, LS14 2LA.

Tel: +44 (0)113 237 5340
Fax: +44 (0)113 237 5360

UK only local rate

Tel: 0845 1300 155
Fax: 0845 1300 255

Email: sales@visionalert.co.uk
www.visionalert.co.uk

